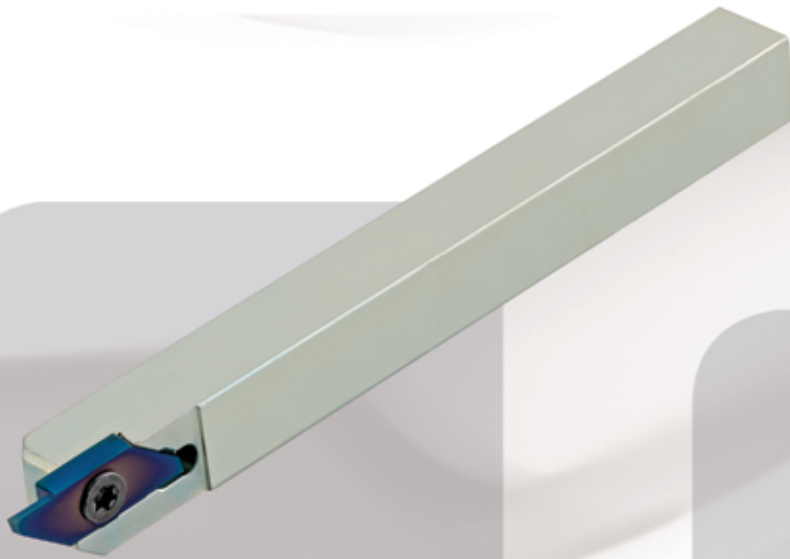
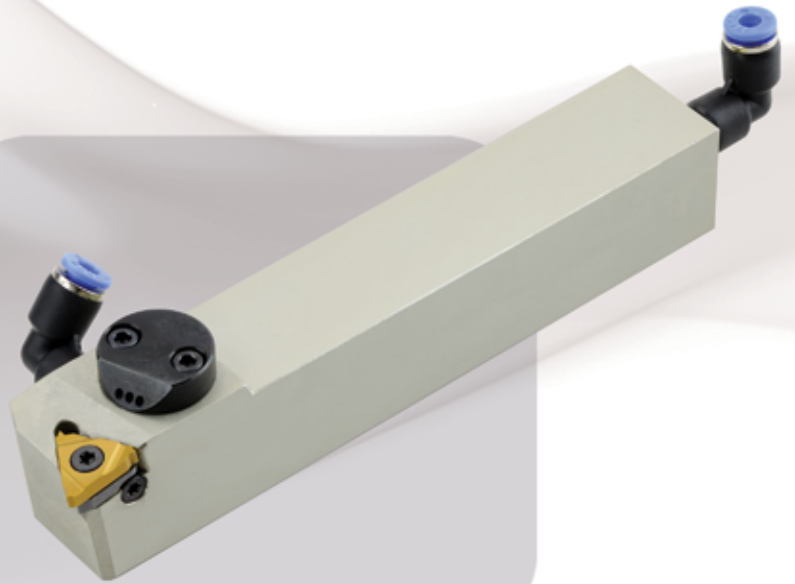


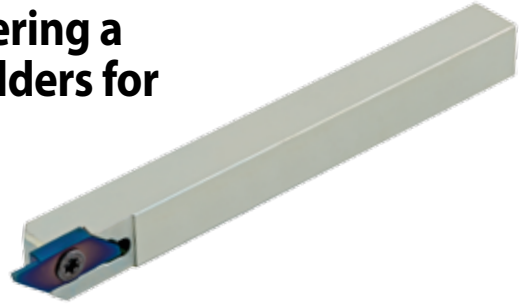
NEWS 2015-16



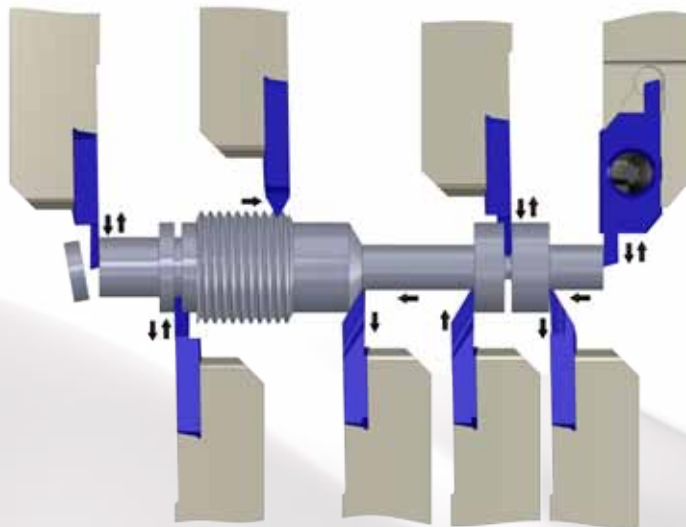
Swiss-Line

Carmex extends Swiss Line range by offering a new type of polygon inserts and tool holders for external turning, grooving, parting and threading on a Swiss-Type machines.

- High precision ground inserts.
- All inserts can be used with same tool holders.
- A combination of carbide and the latest developed coating, guarantees maximum tool life and improved productivity.
- For a wide range of materials.
- Coated holders provides abrasive resistance.



Working method

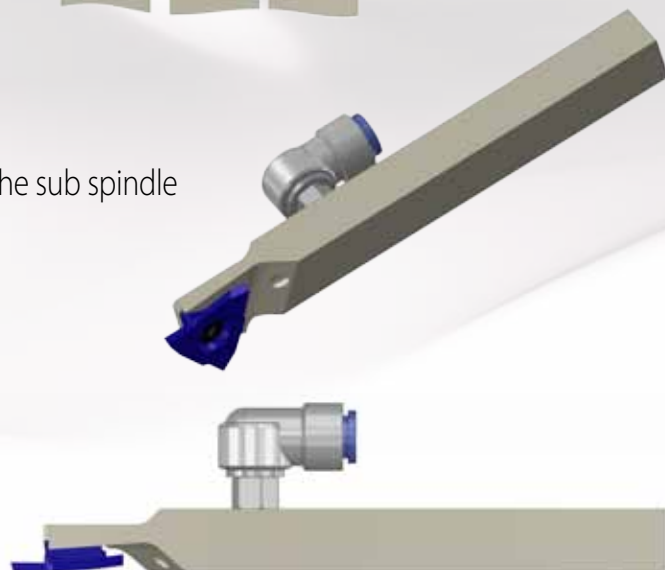


Swiss-Line

Additional Slim tool holders for parting against the sub spindle
Holders sizes (square):

10x10 mm
12x12 mm
16x16 mm
20x20 mm

New inch tool holders, sizes:
3/8", 1/2", 5/8" 3/4" and 1"

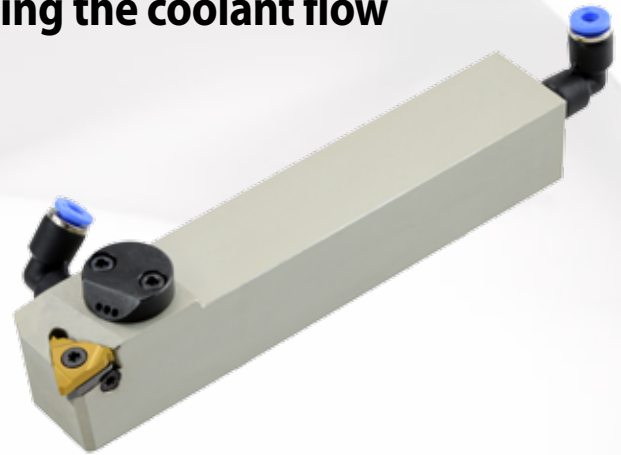


External Thread Turning tool holder with internal coolant

Carmex has developed a unique external thread turning holder with internal coolant to the cutting edge. The holder includes two connecting options through an elbow fitting and a top clamp directing the coolant flow to the cutting edge.

The coolant flow provides:

- Better chip control, and chip flow.
- Longer tool life and high performance.
- Reduces the cutting edge temperature.
- Available RH and LH tool holders.
- Coated holders provides abrasive resistance.



CBR

Carmex introducing new Tiny Tool CBR, with advance Chip Breaker. The new product is a combination of MTR and MPR for boring and profiling with improved chip evacuation.

Chip evacuation is obtained thanks to advanced **Chip Breaker** and the internal coolant through the tool, pushing the chips out of the hole.

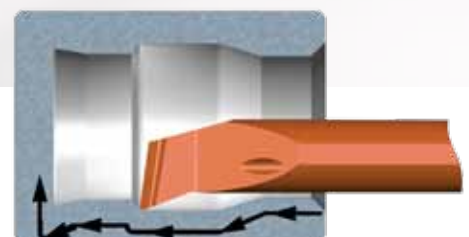
Excellent Solution for machining stainless steels, super alloys and other "difficult" materials that creates curly chips around the tool and the application.

Can be used also as general purpose for a wide range of materials.



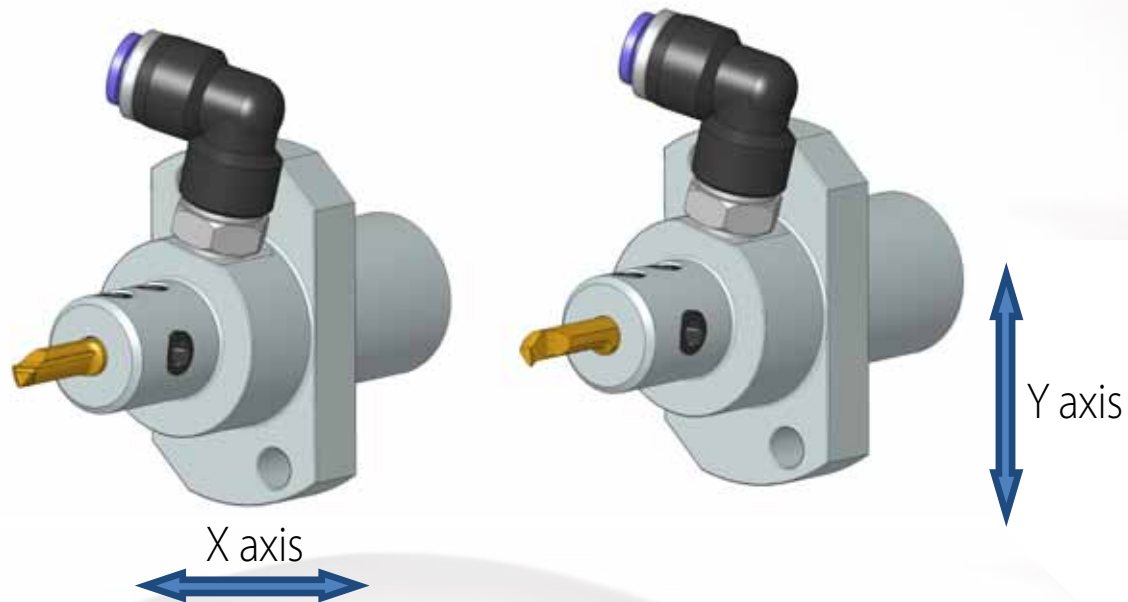
Carbide grade:

New advance carbide grade **TNX** for higher feeds and high performance, at medium to high cutting speed. Extra fine grain size with high hardness and toughness combined with triple reddish coating, provides high edge stability and better chip flow.

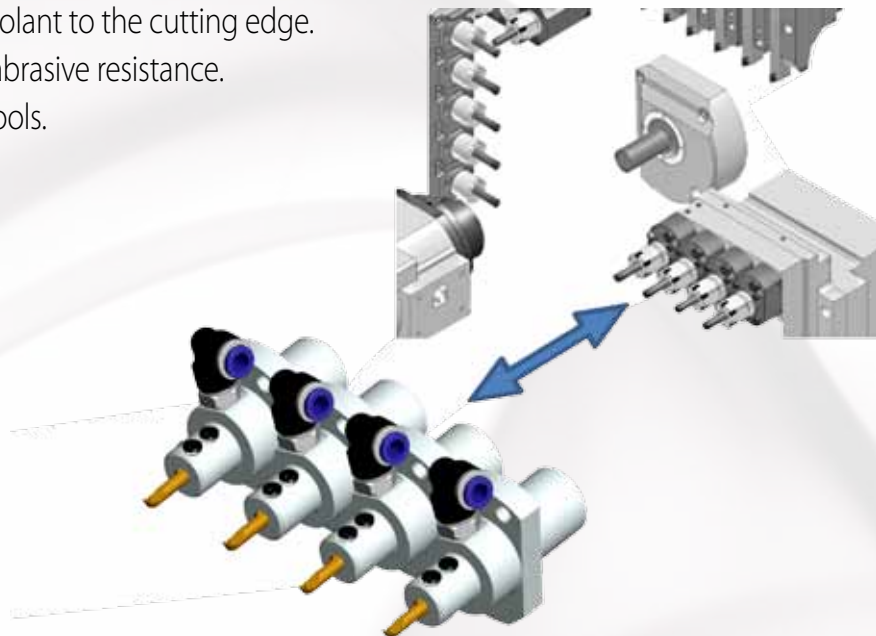


New Tiny Tool holder

Carmex has developed a unique external turning holder for back operation on a CNC Swiss type machines sliding head. The Tiny Tool can be gripped in the holder in two directions, allows a turning operation on X and Y axis.



- Designed with internal coolant to the cutting edge.
- Coated holders provides abrasive resistance.
- Fits to the standard Tiny Tools.



Carmex
Precision Tools Ltd.

1st Hacharoshet St., Maalot Industrial Zone
2101302, ISRAEL

Tel: (972) 4-9077400, Fax: (972) 4-9077440.

E-mail: info@carmex.com

Website: www.carmex.com

Postal address: P.O. Box 404, Maalot 2101302, ISRAEL.